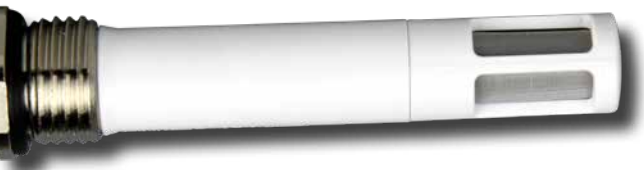


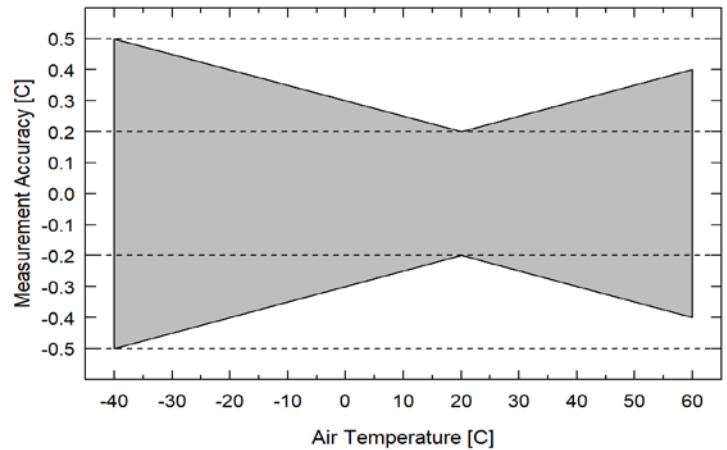


Accuracy

Improved version of the popular EE08 high accuracy air temperature and relative humidity probe from E + E Elektronik



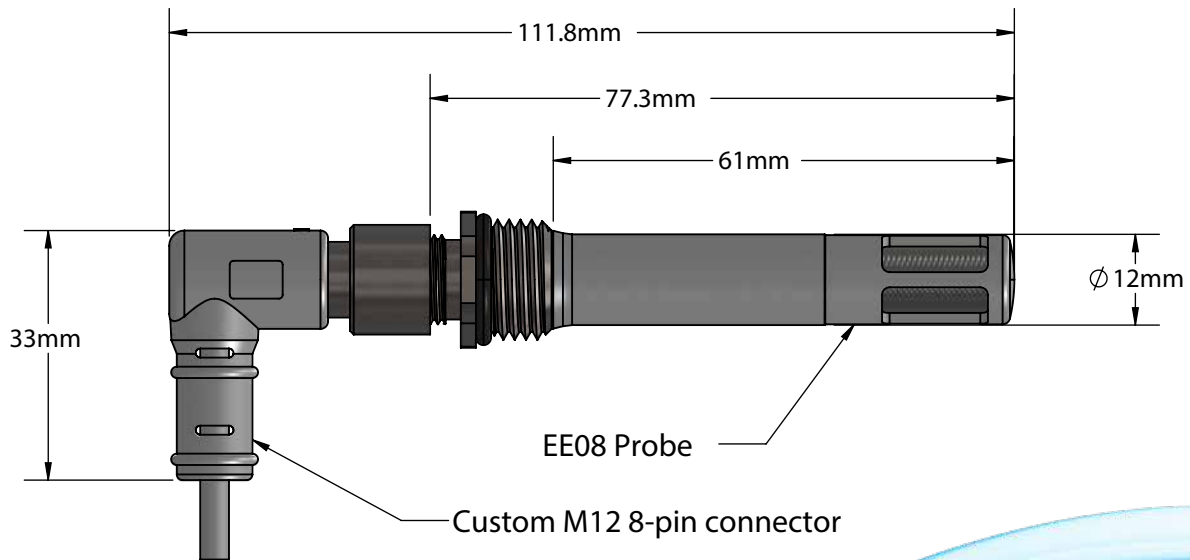
Accuracy Over Measurement Range



Product Specifications

| EE08-SS | |
|-----------------------|---|
| Input Voltage | 7 to 30 V DC |
| Current Draw | Less than 1.3 mA |
| Start-up Time | 2 s |
| Housing | Polycarbonate, IP65 |
| Filter | Stainless steel wire mesh, 30 micron pore size |
| Connector | M12, IP67 |
| Dimensions | 83 mm length, 12 mm diameter |
| Mass with 5 m Cable | 270 g |
| Operating Environment | -40 to 80 C; 0 to 100 % relative humidity |
| Cable | M12 connector (IP67 rating) to interface to sensor housing, 5 m of four conductor, shielded, twisted-pair wire (10 m and 20 m cables also available), white TPR jacket (high water resistance, high UV stability, flexibility in cold conditions), pigtail lead wires |
| Warranty | 1 year against defects in materials and workmanship |

| Temperature Measurement | | Relative Humidity Measurement | |
|---------------------------------|---------------------------|-------------------------------|--|
| Sensor | PT1000 (Class A) | Sensor | Capacitance Chip |
| Measurement Range | -40 to 80 C | Measurement Range | 0 to 100 % |
| Output Signal Range | 0 to 2.5 V DC | Output Signal Range | 0 to 2.5 V DC |
| Accuracy at 20 C | ± 0.2 C | Accuracy at 20 C | ± 2 % from 0 to 90 %; ± 3 % from 90 to 100 % |
| Long-term Stability | Less than 0.1 C per year | Temperature Response | Less than -0.05 % per C |
| Time Constant | Less than 30 s | Long-term Stability | Less than 1 % per year |
| Accuracy Over Measurement Range | (see graph on other side) | Time Constant | Less than 30 s |



Features

TYPICAL APPLICATIONS

- Meteorology and Weather stations
- Hatcheries and incubators
- Climatic chambers and green houses
- Storage rooms
- Artificial snow machines
- Battery operated devices

AERODYNAMIC SHAPE

The Apogee EE08-SS is a customized version of the EE08 probe made by Austrian manufacturer E + E Elektronik. After years of evaluation, the EE08-SS has emerged as our sensor of choice over more expensive probes for accuracy, stability, and durability. The Apogee EE08-SS features an improved right angle, IP67 rated, stainless-steel M12 connector; heat-reflective white cabling; and a more durable, metal-grid dust filter. These features added by Apogee only slightly increase the price over the base model from E + E, but greatly improve the performance and reduce the maintenance of the probe, especially when used with a fan-aspirated radiation shield like the Apogee TS-100.

