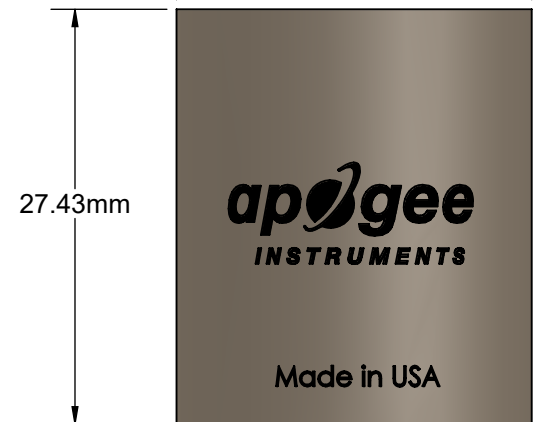
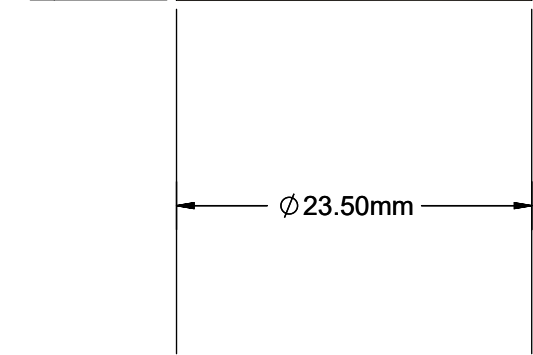
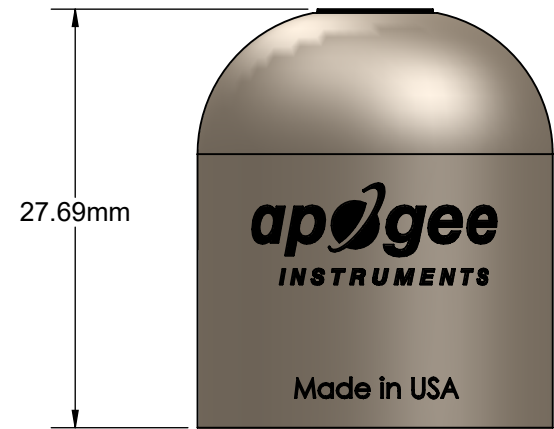
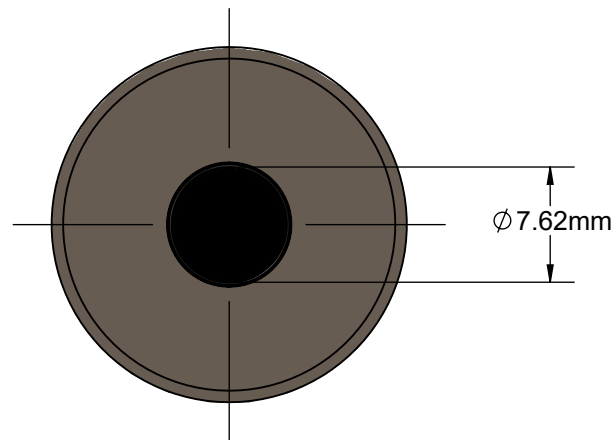
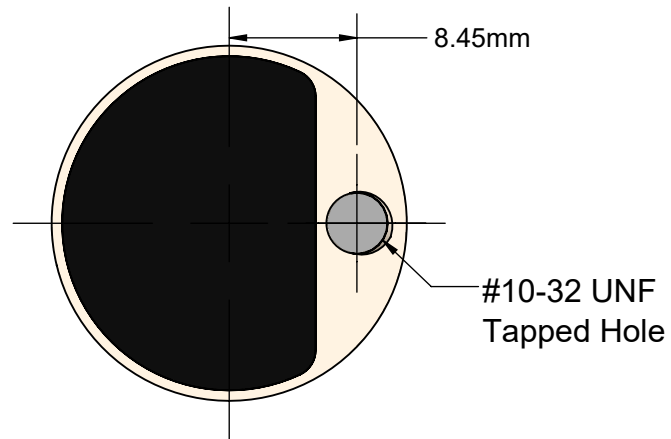
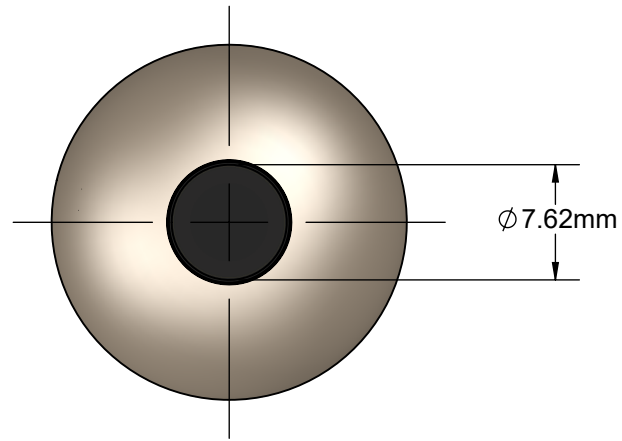




SL-510



SL-610



Pyrgeometer

Information in this drawing is provided for reference only.

SCALE: 2:1

COPYRIGHT: 6/3/2015