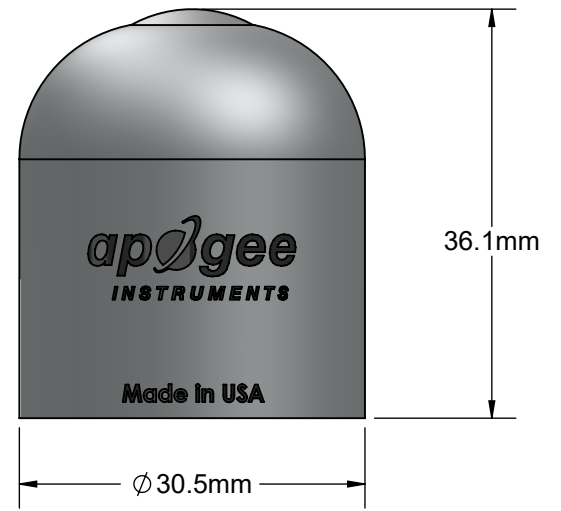
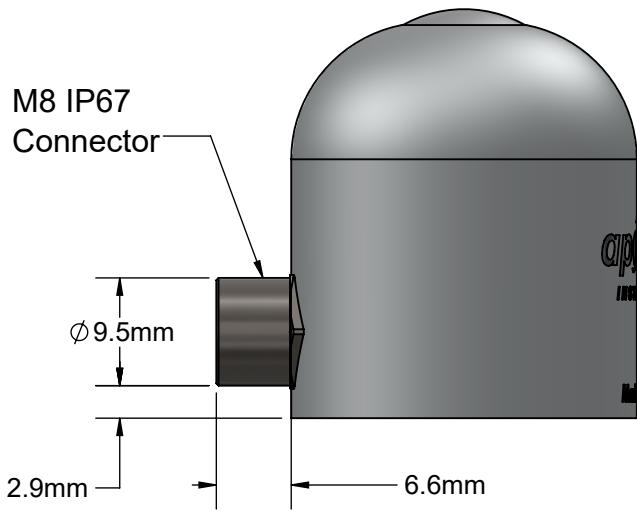
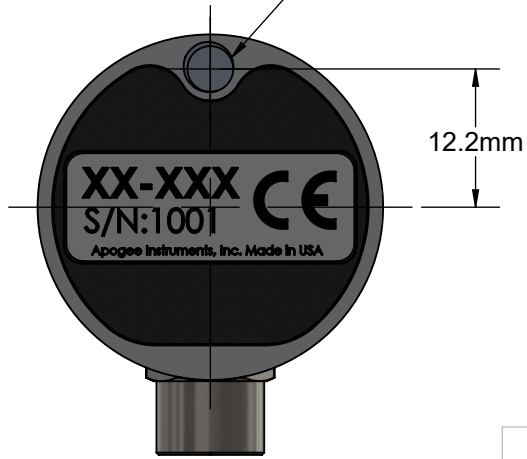


M8 IP67  
Connector



#10-32 UNF  
Tapped Hole



Digital or Amplified  
Thermopile Pyranometer  
Information in this drawing is provided for  
reference only.  
SCALE: 3:2  
COPYRIGHT: 11/6/2018