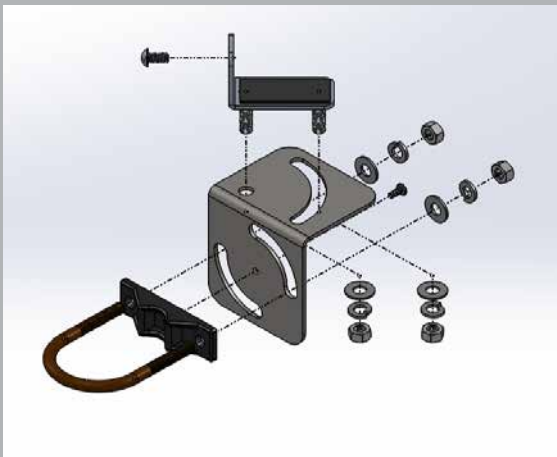


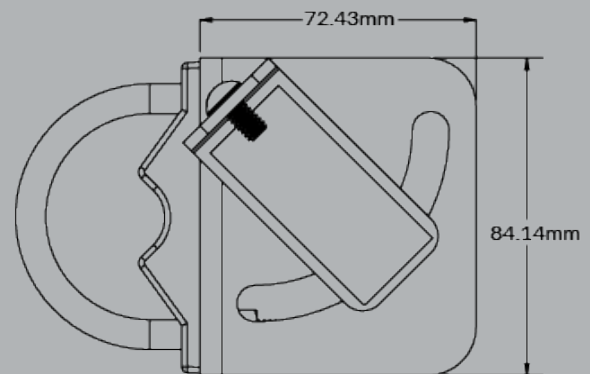


## ANGLED FIELD SPEC MOUNTING BRACKET | AS-013



Bracket with an integrated bubble-level, designed to mount Apogee Instruments solar sensors to a mast or pipe for proper installation

### Dimensions



### Features

#### Simple and Accurate Mounting

The AS-013 Angled Field Spec Mounting Bracket facilitates angled mounting of Apogee Instruments Field Spectroradiometers model SS-110 and SS-120 to a mast or pipe. The bracket is designed to orient the spec at varying angles to satisfy all applications.

### Product Specifications

AL-130	
Dimensions	84.1 mm x 72.4 mm x 129.1 mm
Mass	395.7 g
Warranty	4 years against defects in materials and workmanship

