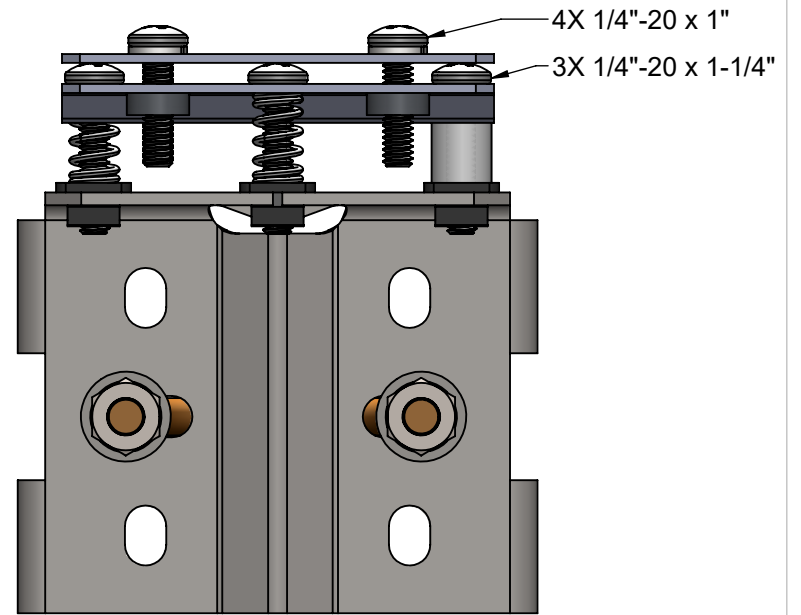
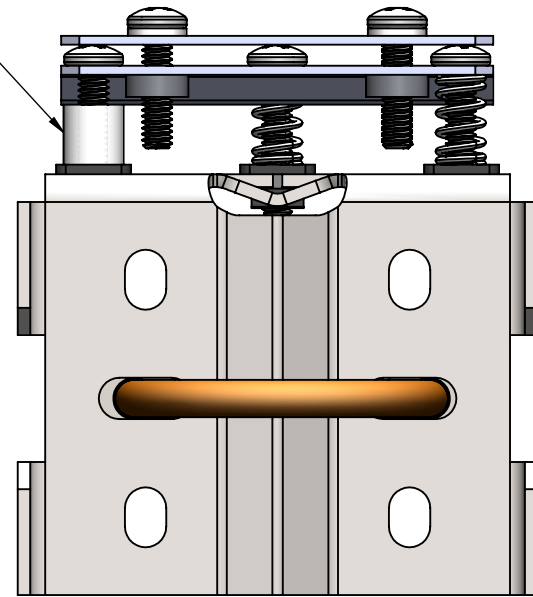
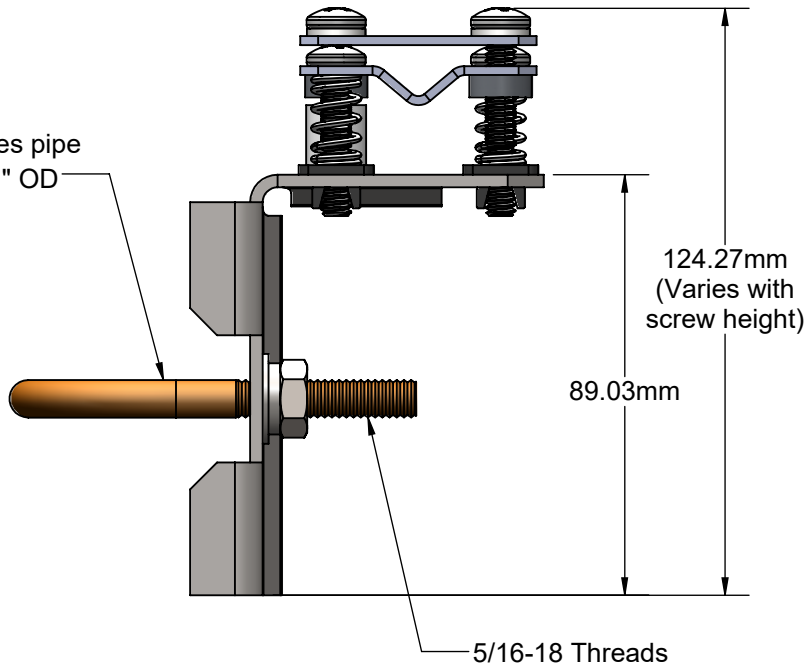


1/2" Spacer



Accommodates pipe with 1.3" - 2.1" OD



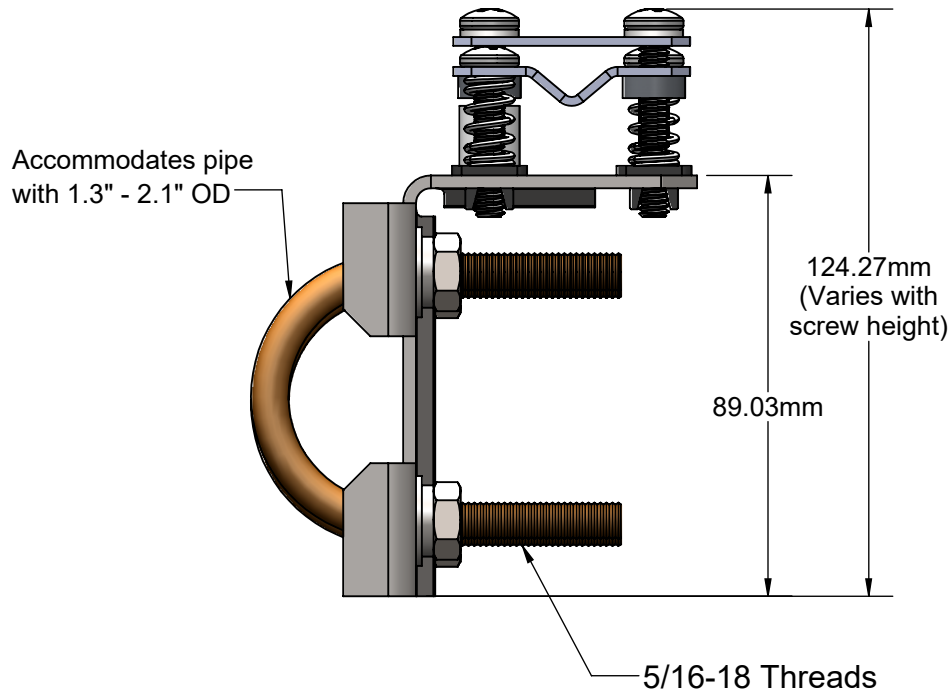
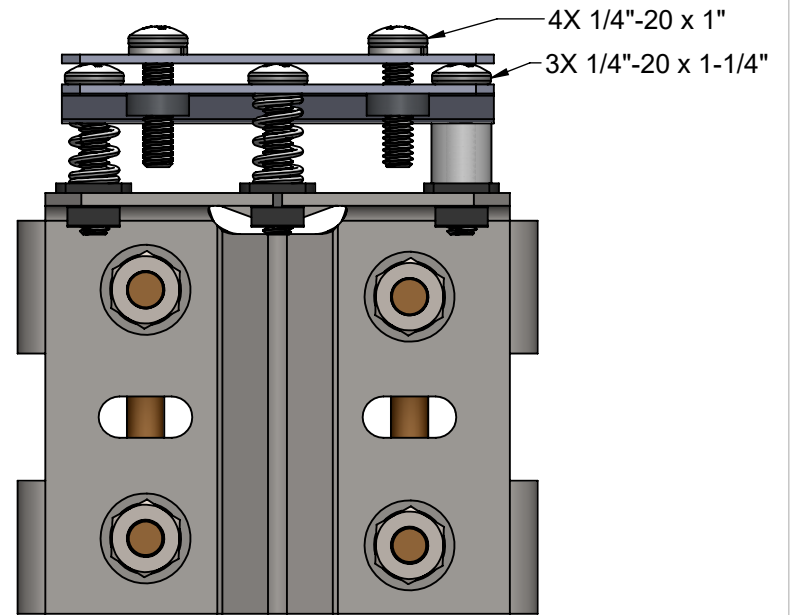
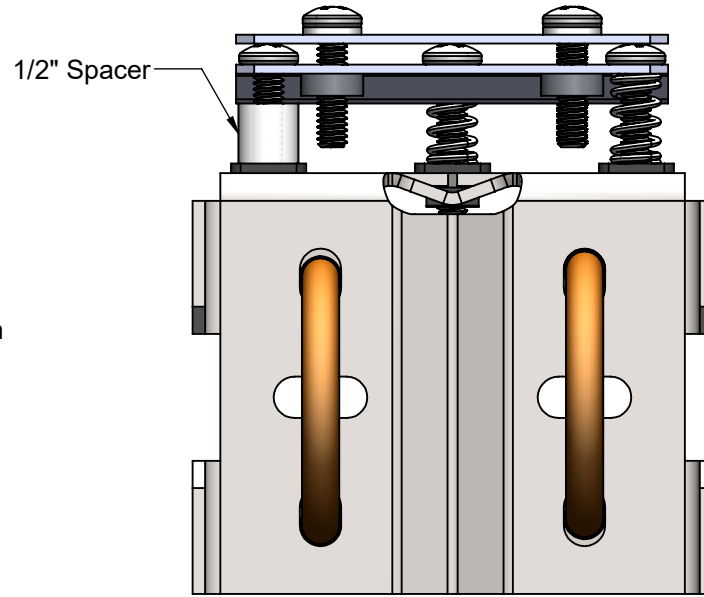
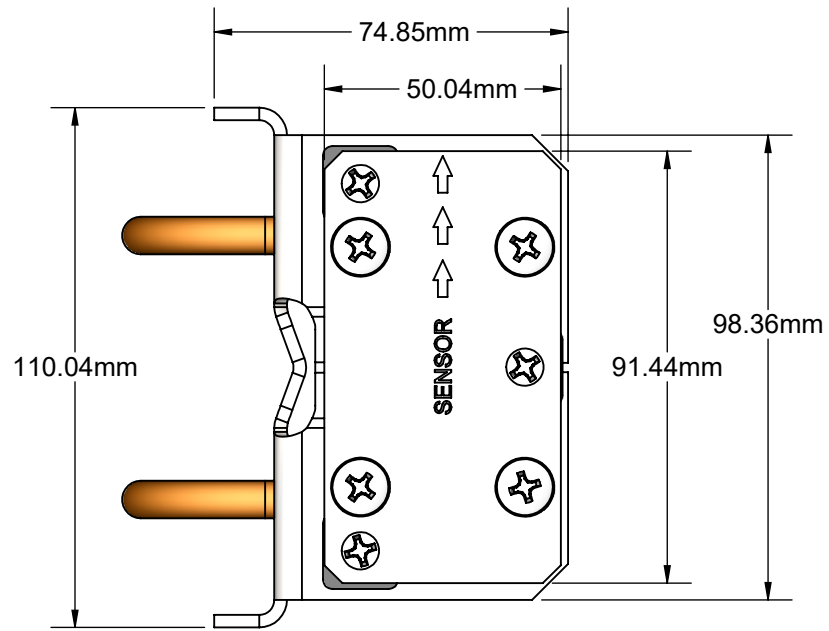
**apogee**  
INSTRUMENTS

AM-500

Information in this drawing is provided for reference only.

SCALE: 5:8

COPYRIGHT: 10/2/2009



**apogee**  
INSTRUMENTS

AM-500

Information in this drawing is provided for reference only.

SCALE: 5:8

COPYRIGHT: 10/2/2009